

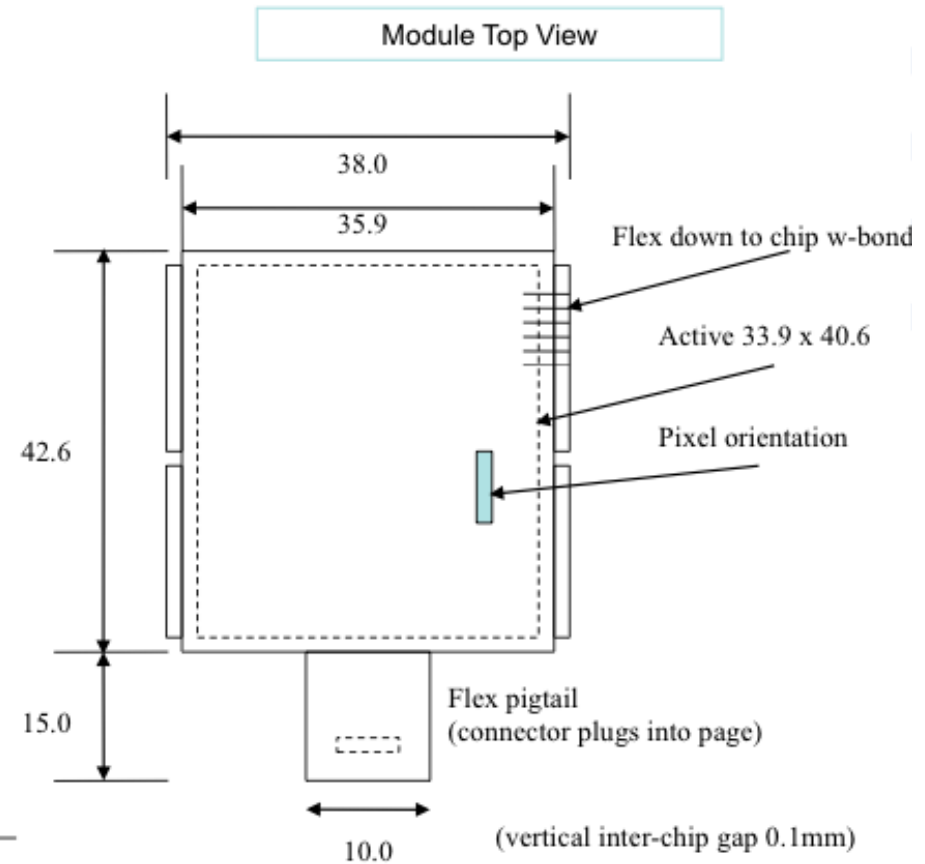
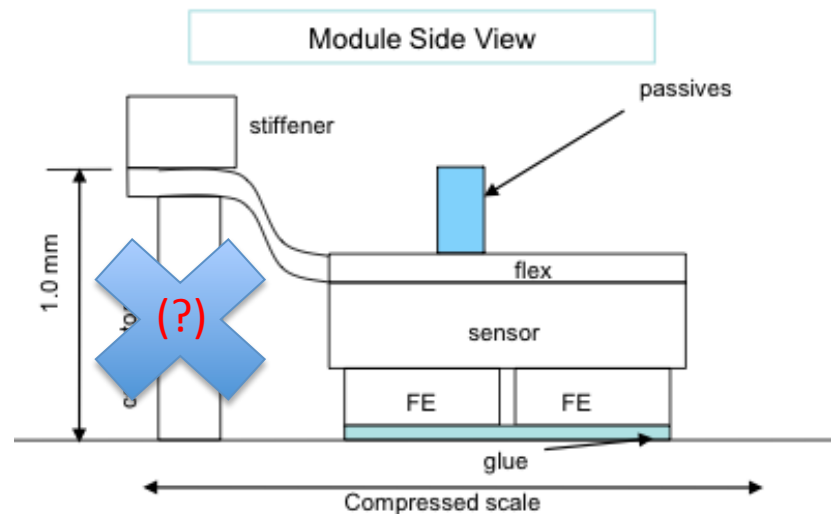
Towards a 4-chip Module

Jo and Ray

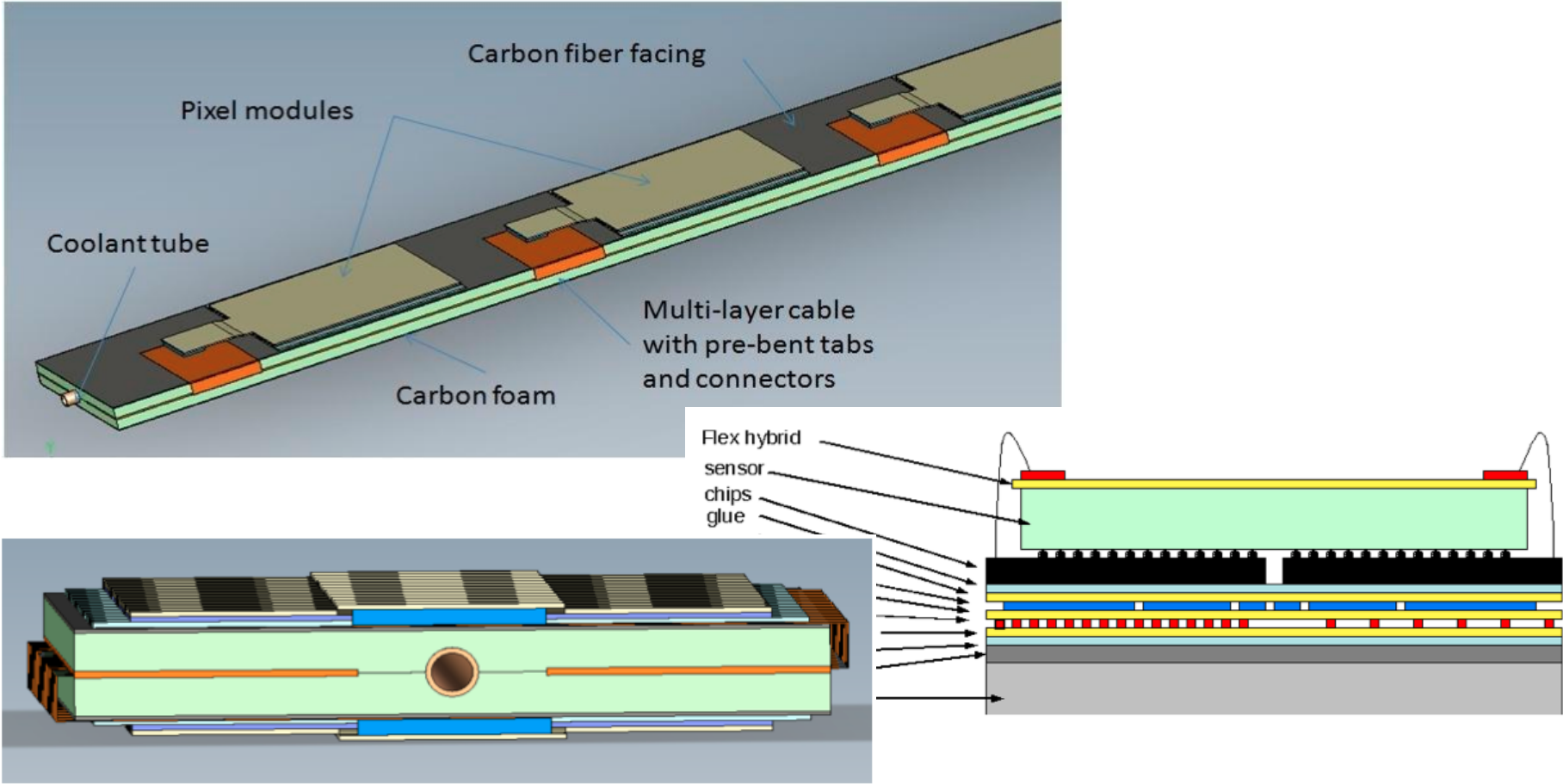
Build on Bonn 4-chip flex

(slide from F.Hüging)

- 2x2 FE-I4 modules
- Flex to route services and signals to the FEs
- Flex pigtail ~~with connector~~ for connection to stave cable

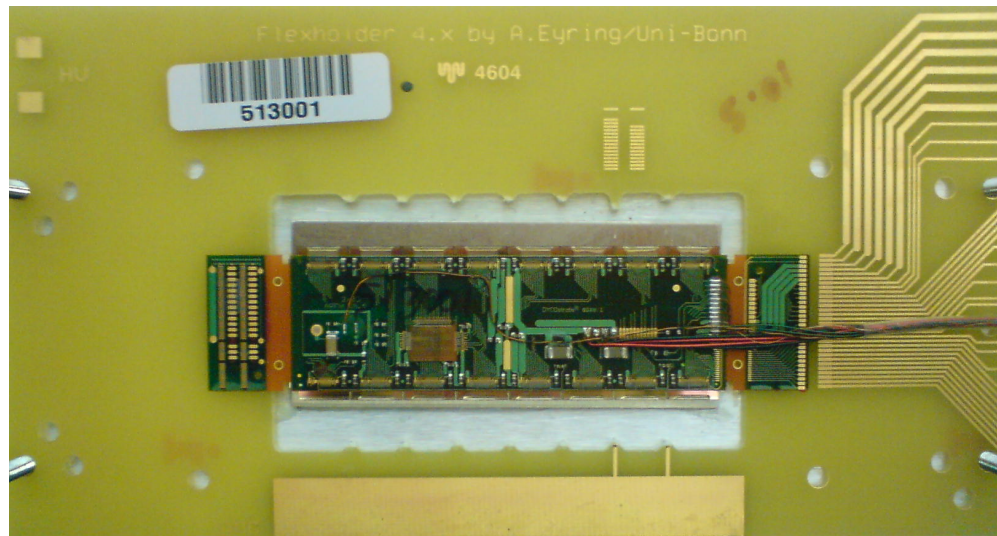


On Stave



Construction

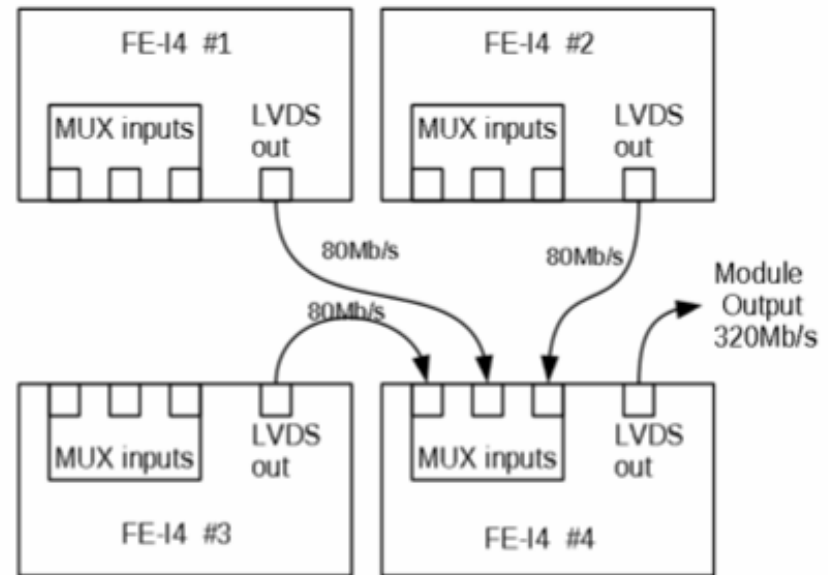
- Similarly to current pixel modules?
 - Build and test on a sacrificial PCB frame



- Remove to stave when tested

Data merging

- Initial FEI-4 plan was to have 3 inputs and one output, allowing data merging



- This wasn't implemented so we need to put something on the PCB

Next steps

- Bonn Flexes ordered
 - Requested 2 March; “it will take a few weeks”
 - Requested layouts and schematics
- Come up with MUX solution
 - Jo + engineer (Mike Perry? John Matheson? SK replacement?)
- Study current pixel detectors’ construction methods
 - Drawings, plans